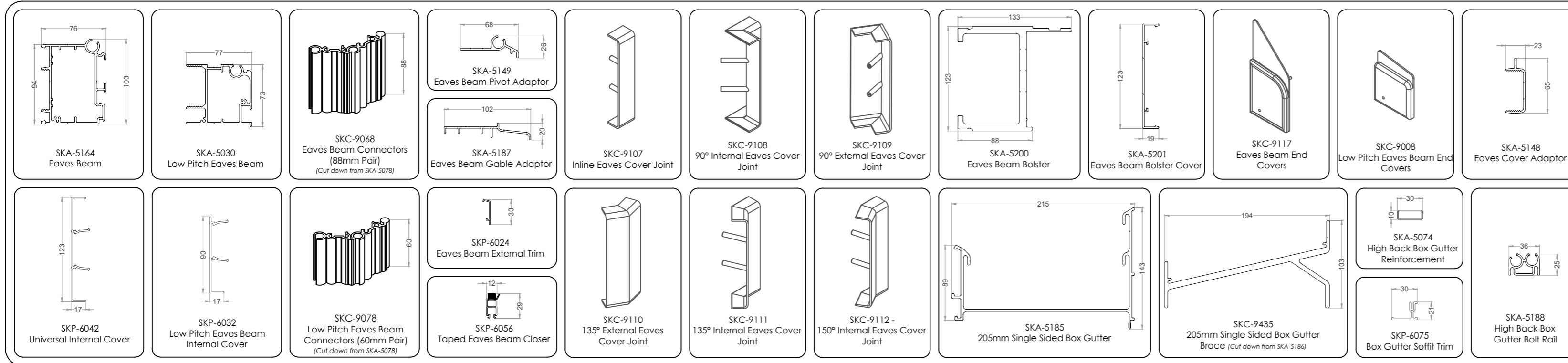
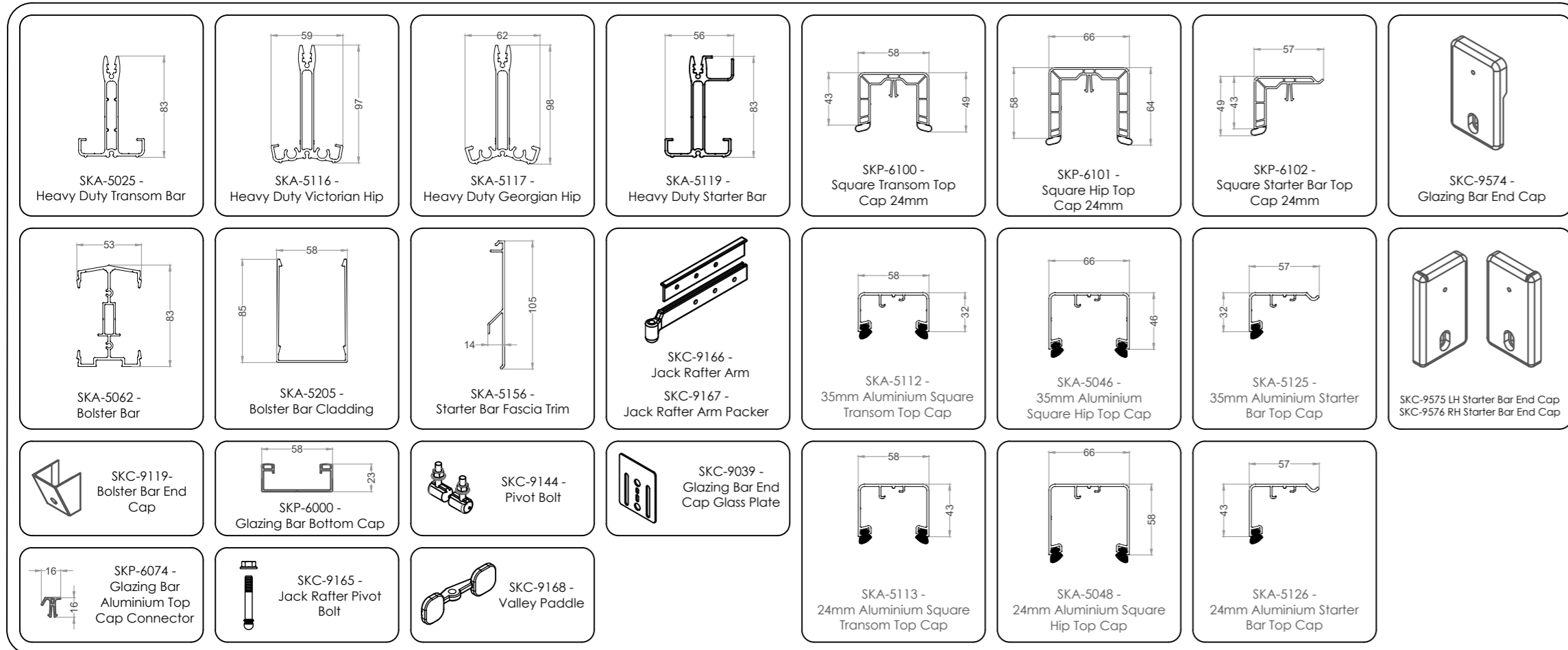


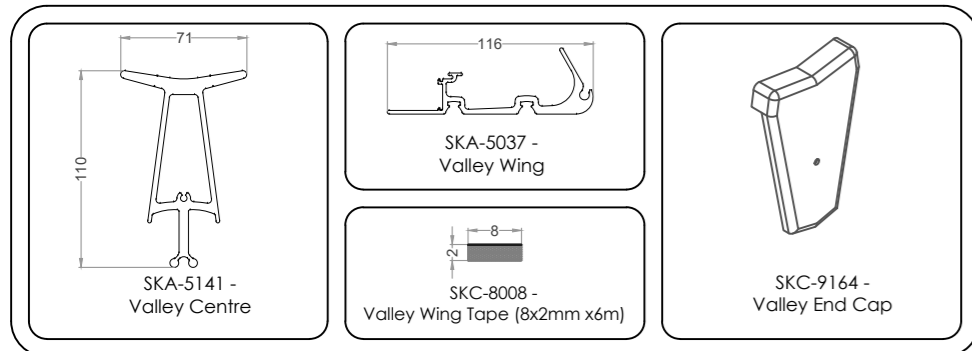
EAVES BEAM & BOX GUTTERS



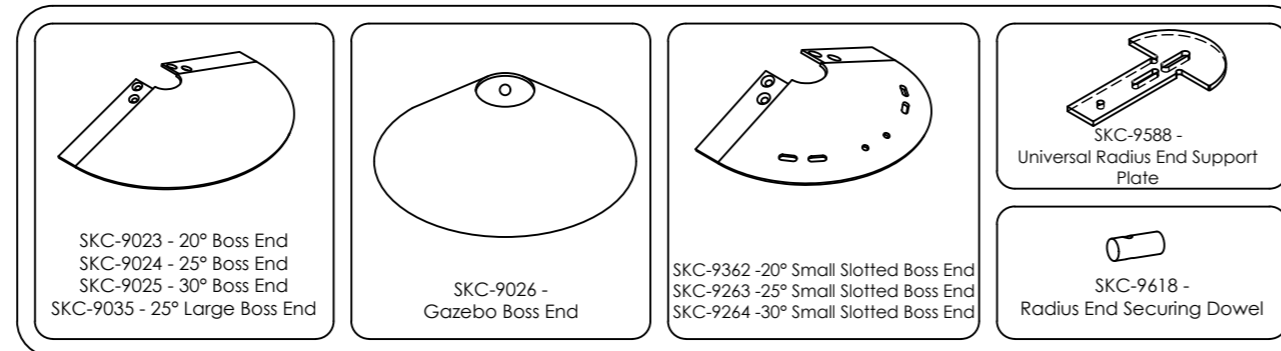
GLAZING BARS



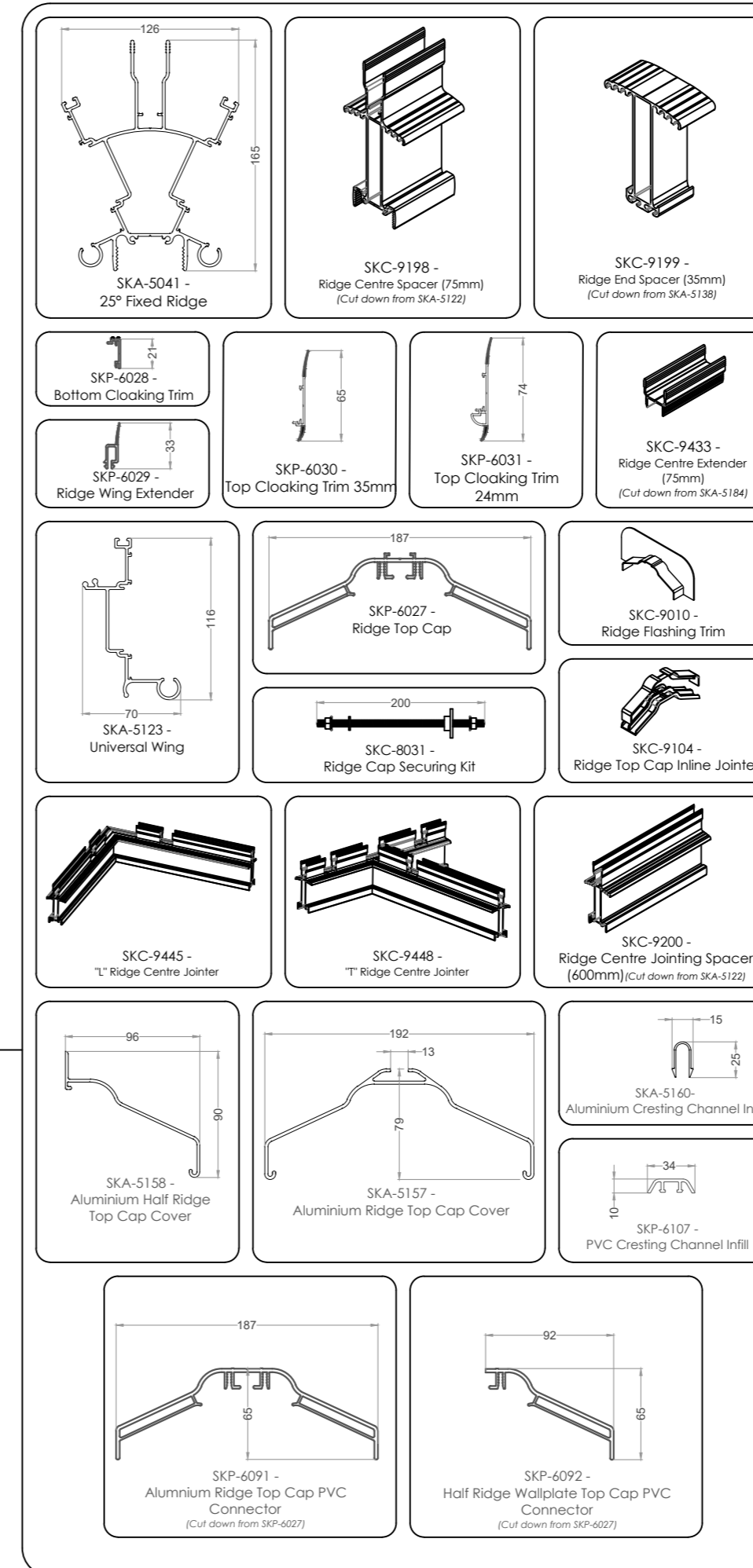
VALLEYS



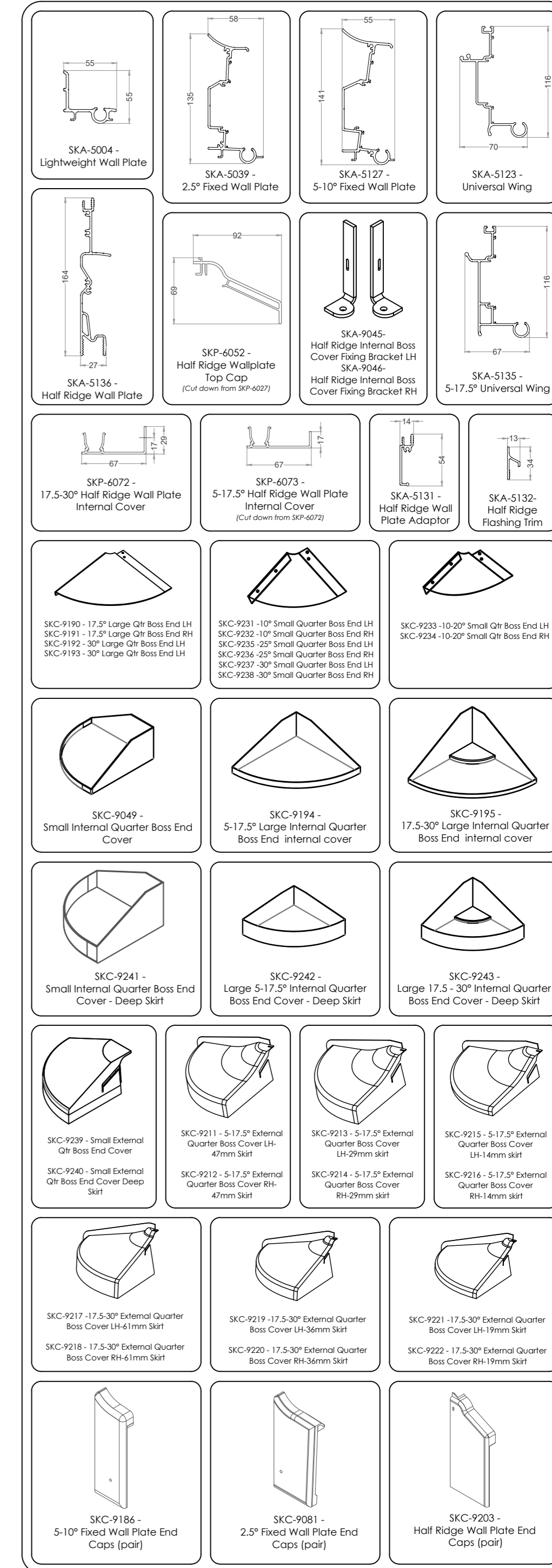
RADIUS ENDS



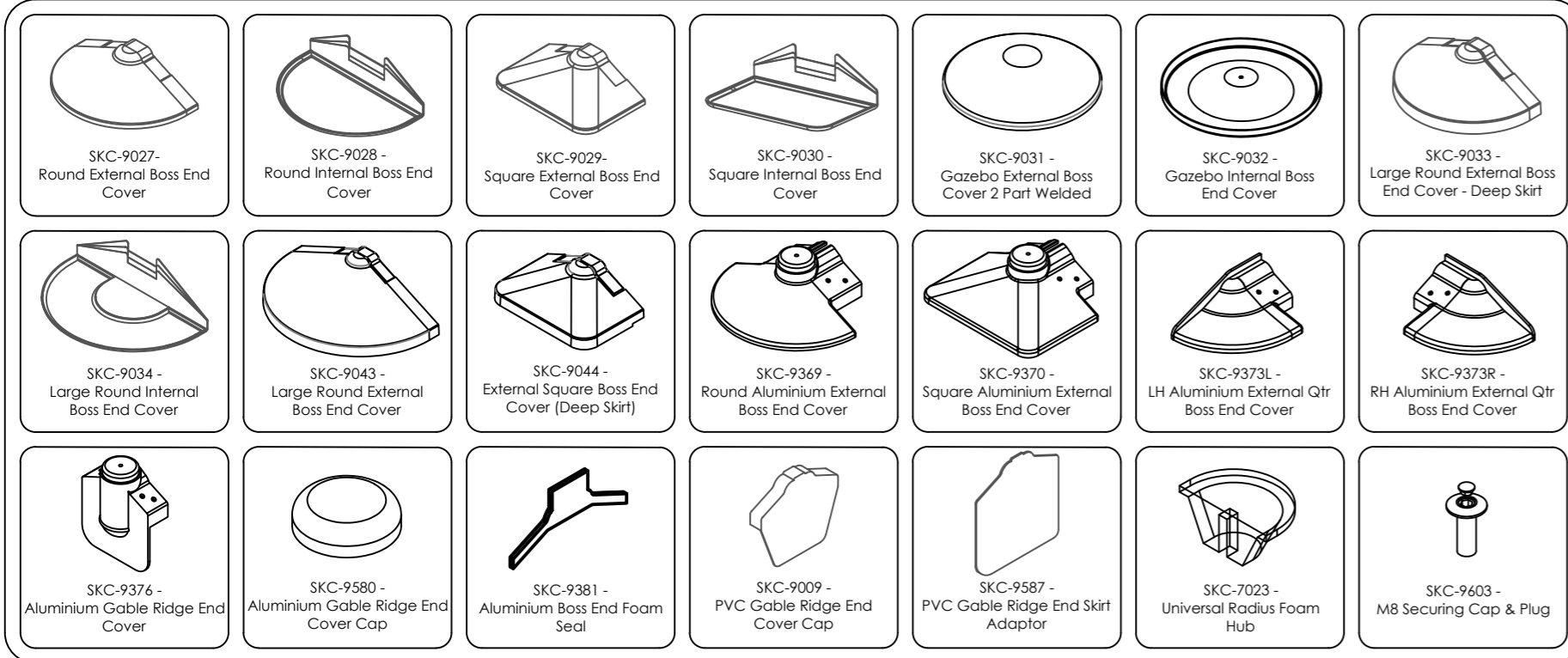
RIDGE



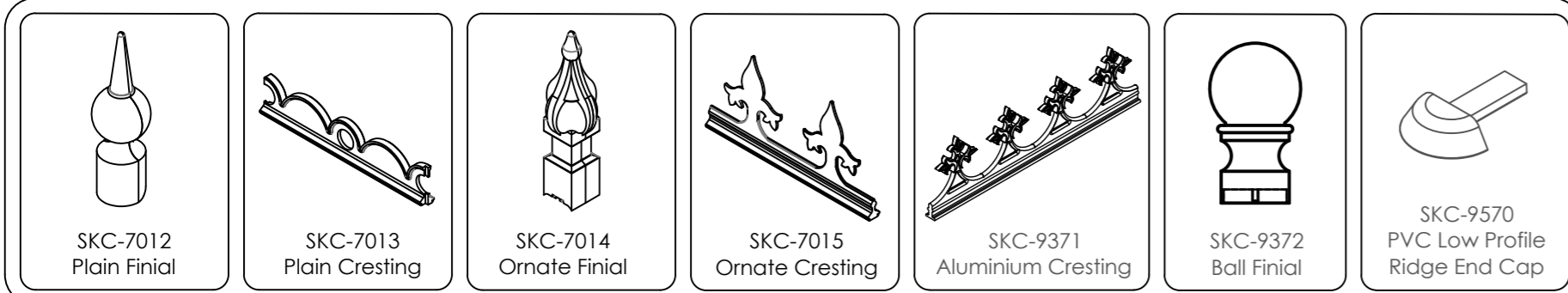
WALL PLATES



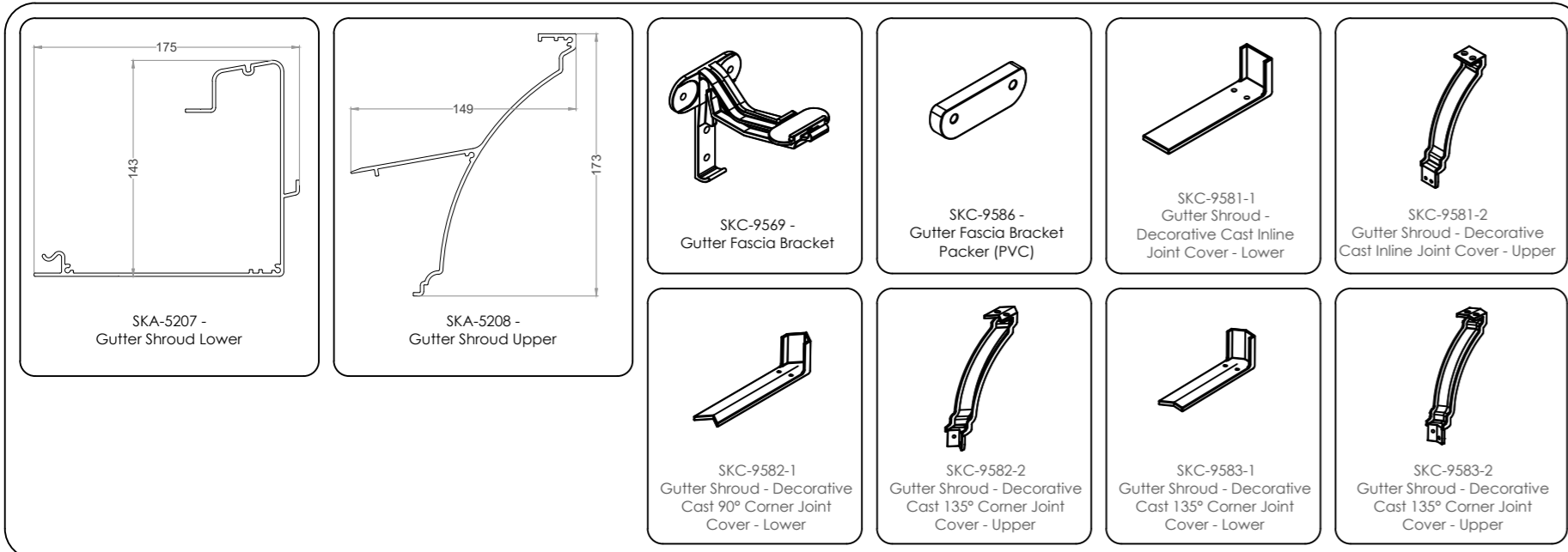
BOSS END COVERS



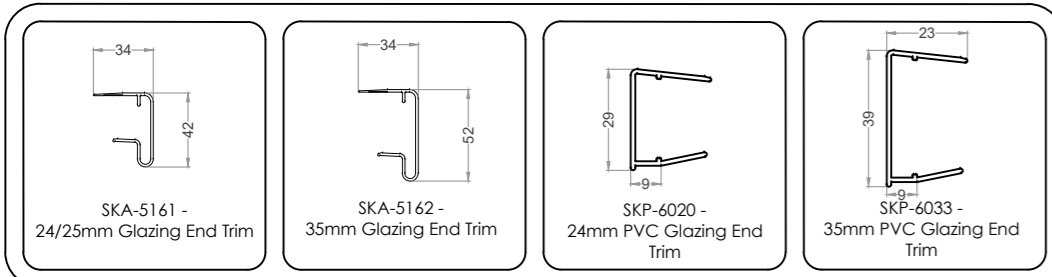
CRESTING & FINIALS



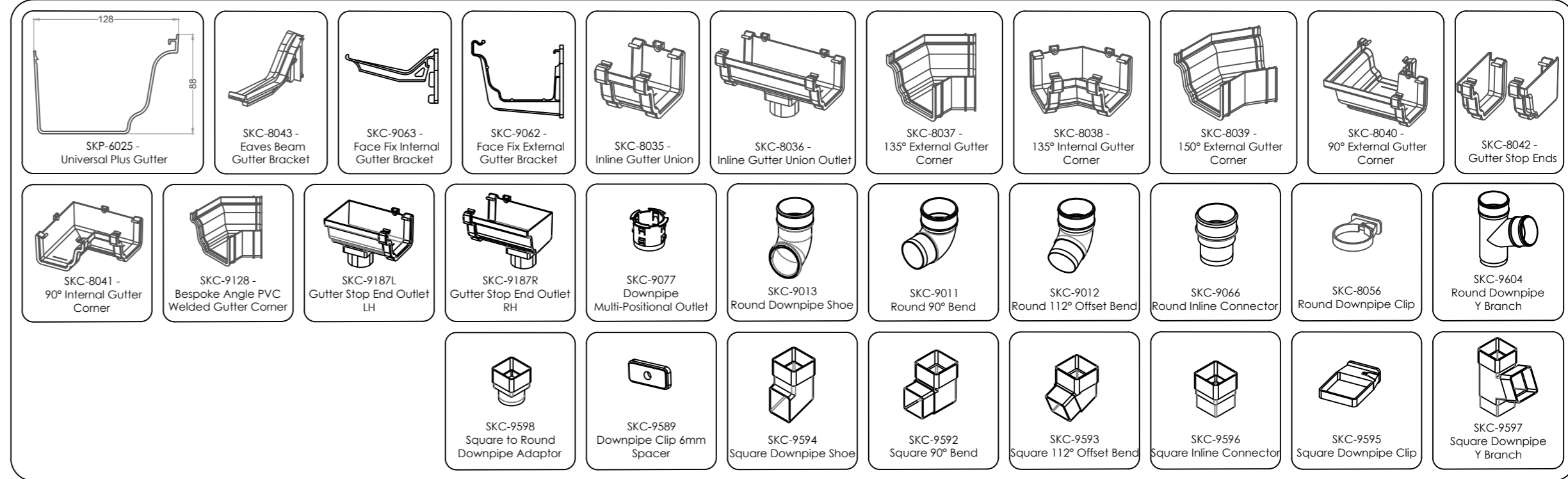
DECORATIVE GUTTER SHROUD



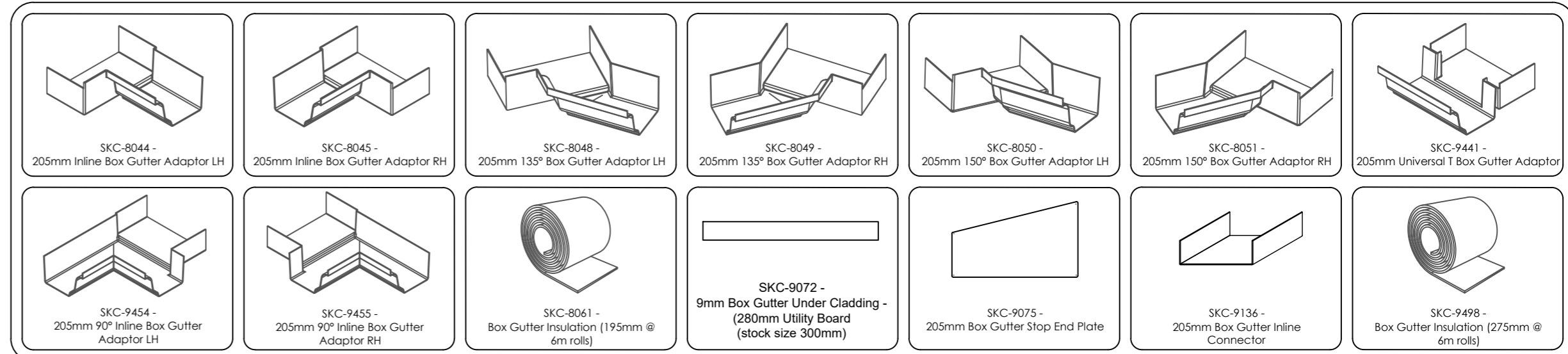
END TRIMS



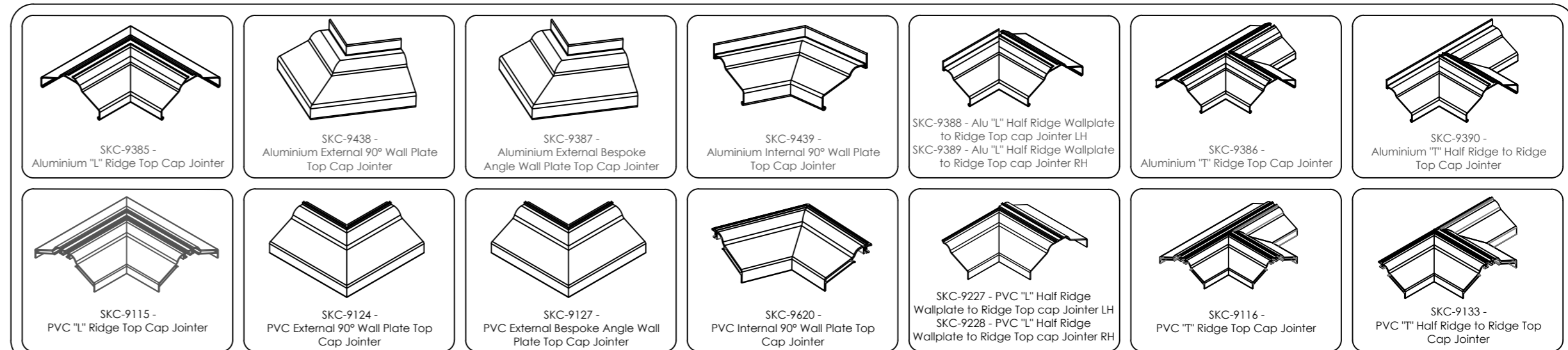
RAINWATER GOODS



BOX GUTTER ADAPTORS & ANCILLARIES



FABRICATED RIDGE TOP CAP CONNECTIONS



INTERNAL PELMET

