

# ROOFLIGHTS & LANTERNS

- LET EVEN MORE LIGHT INTO YOUR HOME -



## BRIGHTENING UP YOUR HOME

ROOFLIGHT OR LANTERN?.....	04
LANTERN.....	06
FLAT ROOFLIGHT.....	12
FLAT ROOF.....	16

# ROOFLIGHT OR LANTERN?

Adding a flat rooflight or lantern to your property will transform any room as they are designed to let the maximum amount of light & warmth in and keep intruders out. With both options available, how do you choose which style is best for your project? Here we look at the key differences.

## FLAT ROOFLIGHT

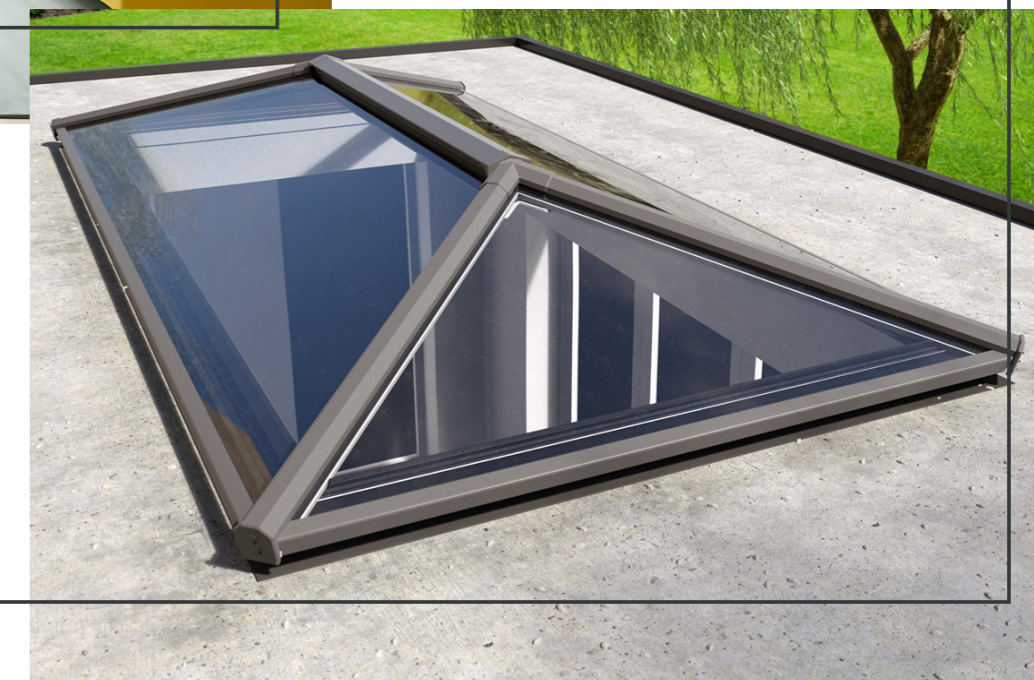
- Perfect choice for a slimline, contemporary look
- Low level and clean simple lines complement most flat roofed extensions
- Provide unimpeded views as they do not require glazing bars
- Low profile so won't interfere with upstairs windows
- May provide a more cost effective solution if you have a smaller budget

## LANTERN

- Ideal if you want maximum light as they are better at channelling light from all angles
- The pitched shape of a lantern roof adds character to any flat roof project & adds a stunning architectural show-piece in your home
- Creates larger openings for maximum effect. Up to 6 metres in length which will often make your room look bigger
- Option for roof vent to allow for ventilation to circulate into the room



FLAT ROOFLIGHT



LANTERN



MANUFACTURED  
IN THE UK

# STRATUS LANTERN

The purpose designed Stratus aluminium lantern roof system is discreet yet stylish coupling sleek contemporary looks with truly outstanding performance. Designed from the ground up around an innovative thermally broken system, it provides excellent thermal performance while delivering the architectural refinement you'd expect of a high end aluminium lantern system.

Available in square, 3-way, 4-way or contemporary designs, with sizes up to 3m x 6m, this high end, high performance lantern roof is ideal for modern living. Stratus is ideal for fresh, bright interiors that want to be opened up and flooded with daylight. Stratus comes in a choice of colour finishes: black, grey and white as standard or any RAL Colour. Available with PVCu or aluminium internal and external cappings. For the ultimate in minimalism, the innovative contemporary style supports the ridge solely by the hip rafters, for an ultra slim, clean and modern look.



Low profile 20° pitch



65% more thermally efficient



Low U-values



Available in any RAL colour



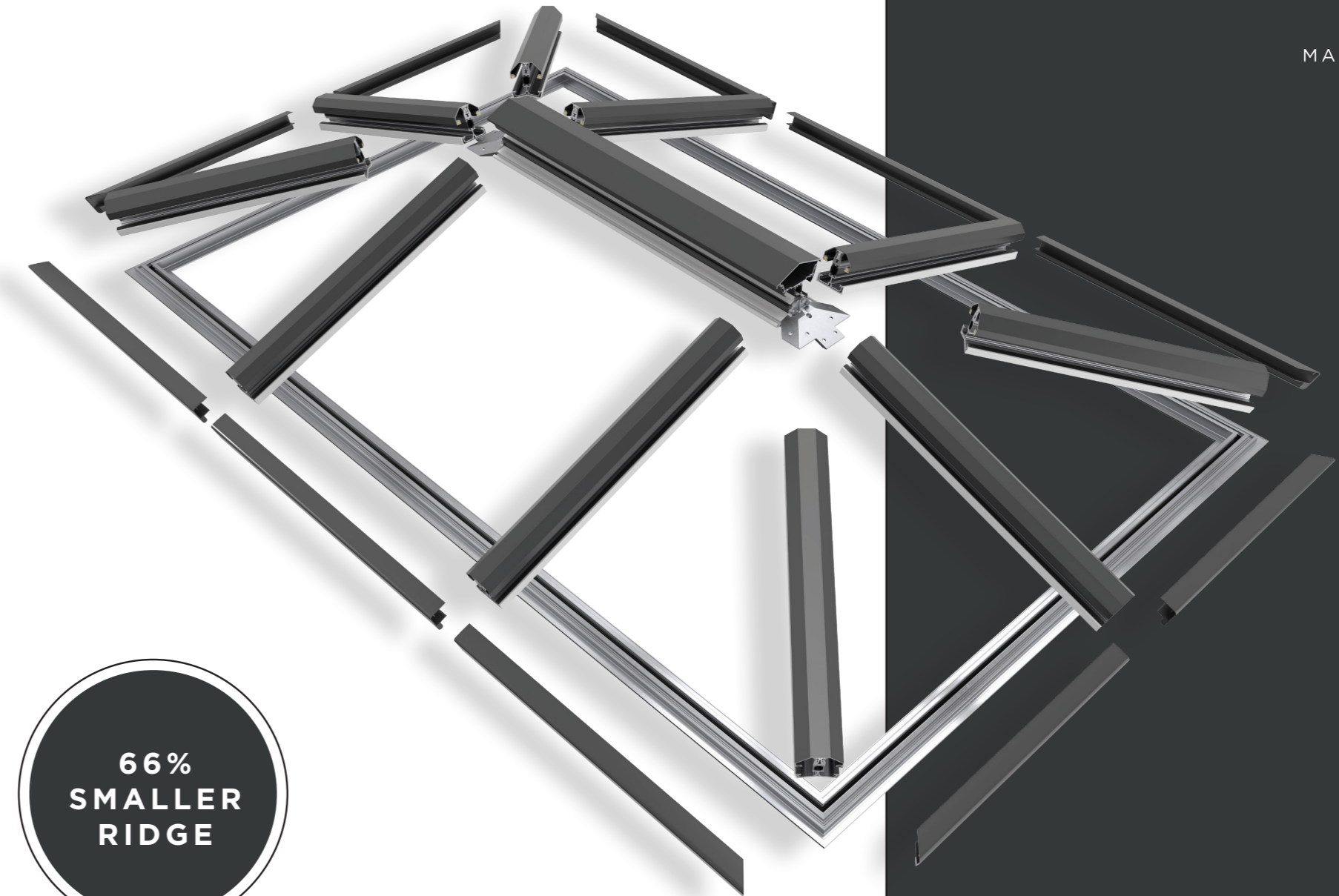
## SIMPLY BUILT BETTER

Every element of the Stratus Thermal Lantern Roof has been designed to be exceptional. From the low profile 20° pitch that allows us to use purpose designed cappings that keep sightlines to a minimum - and your view of the sky maximised - to the discreet black finish of our perimeter beam, that ensures if you view the lantern from above, all you'll see is glass and a discreet shadow line. **Stratus is high-quality British engineering at its best.**

### WHY CHOOSE STRATUS:

- ✓ Up to 65% more thermally efficient than conventional aluminium roof systems.
- ✓ 66% smaller ridge than standard systems for beautiful aesthetics.
- ✓ Quick and easy to install - less time on site means less disruption for homeowners.
- ✓ Hard wearing aluminium external cappings for a premium, architectural look.
- ✓ Available in any RAL colour, mix and match colours on the internal and external faces of the lantern.
- ✓ Fixed at 20° pitch which keeps sightlines to a minimum
- ✓ 12 glass options available

66%  
SMALLER  
RIDGE



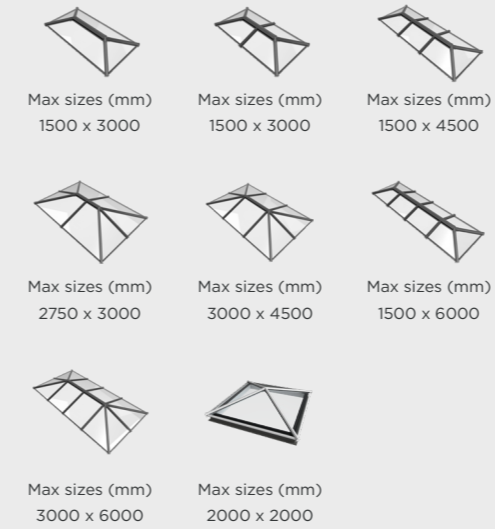
MANUFACTURED  
IN THE UK

PRECISION ENGINEERED QUALITY

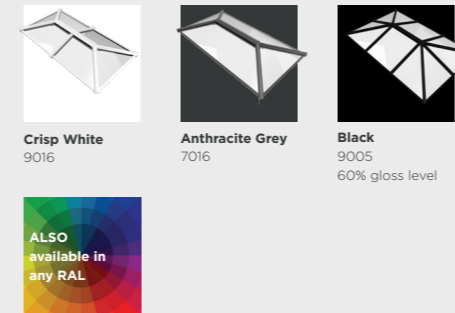
## FEATURES

- Low profile 20° pitch that allows us to use purpose designed cappings that keep sightlines to a minimum.
- The low 20° pitch also helps to avoid interrupted sightlines from upstairs windows.
- 66% smaller ridge than standard systems.
- Innovative thermally broken system up to 65% more thermally efficient than conventional aluminium roof systems.
- All external caps are aluminium finish with aluminium or PVCu internals.
- Energy saving glass with U-values as low as 1.0 and solar gain as high as 49%.
- High performance glass options with UV protection as high as 94% to help protect furniture.
- Maximum rafter spacing is 1500mm with a 31mm clearance required where glazing bar meets the radius end.
- No tie bars required.
- Minimum ridge length is 140mm.
- Available in a range of colours to suit every home & interior (3 standard colours - black, grey & white).
- Roof Vents available (min 500mm x 500mm) - minimum lantern size 1390mm x 1975mm.
- Option to choose a different colour for the interior & exteriors.
- Available in 8 design configurations, with sizes from lengths up to 6m and widths up to 3m.
- Proudly designed and manufactured in the heart of the UK.

## STYLES & DESIGNS



## COLOURS - STANDARD & BESPOKE



Please note, the colours printed above are for illustrative purposes and are for a guide only.

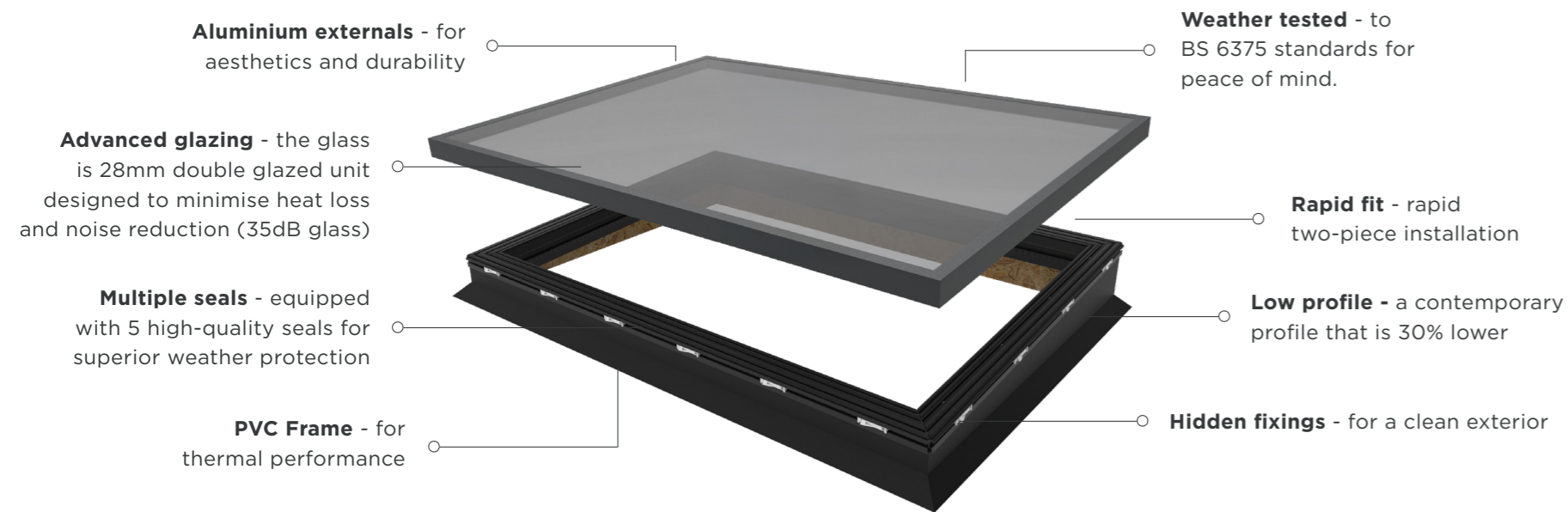


A BETTER ROOF LANTERN SYSTEM

# STRATUS FLAT ROOFLIGHT

The **Stratus Flat Rooflight** is designed to transform interiors by maximising natural daylight. Engineered for quick, straightforward installation and finished with a sleek, contemporary look, it delivers the ideal balance of style, practicality, and performance that homeowners love.

Suitable for both traditional and modern properties, the Stratus Flat Rooflight is a versatile addition to any home. It works especially well in kitchen and dining extensions, as well as any space where natural light is limited. Its clean lines and minimalist design allow it to integrate seamlessly into a wide range of architectural styles. Beyond its visual impact, this rooflight is built for comfort and performance. High-performance, noise-reducing glazing helps create a quieter, more peaceful indoor environment while maintaining excellent light transmission.



35dB Rw glass acoustic rating



Thermally broken



0.6 - 1.2 U-value W/(m<sup>2</sup>K)



Weather tested to BS 6375



## FEATURES

- Ultra modern, slimline design with contemporary profile - 30% lower
- Hidden fixings for clean exterior
- Modern satin finish
- Thermally broken
- Aluminium externals for aesthetics and durability
- PVC frame for thermal performance
- Building Regulation Compliant
- Sizes ranging from 500mm x 500mm, up to spans up to 2792mm and slopes of 1500mm
- Available in Black, White & Grey
- Pre-assembled and pre-glazed with 28mm toughened glass as standard
- With a 35dB Rw acoustic rating the glass significantly reduces external noise.
- 150mm minimum kerb height required at the lowest point (as per LABC guidelines)
- Weather testing to BS 6375 meaning it has been tested according to British Standard procedures

## GLAZING

Our advanced glazing is designed to minimise heat loss and noise pollution while maximising natural light, creating a comfortable and energy-efficient indoor environment. **Available in Clear and Blue glass options.**

- Outer Pane: 6mm Toughened Opti Neutral / Blue glass
- Cavity: 16mm or 18mm Argon-filled with warm edge spacer
- Inner Pane: 4mm or 6mm (depending on rooflight size) - high-Performance Low-E Toughened glass

Noise reducing capabilities up to 35dB.

## PRODUCT OVERVIEW

Set out dimensions are always measured to internal face of kerb. Measure diagonal corners to check sizes.

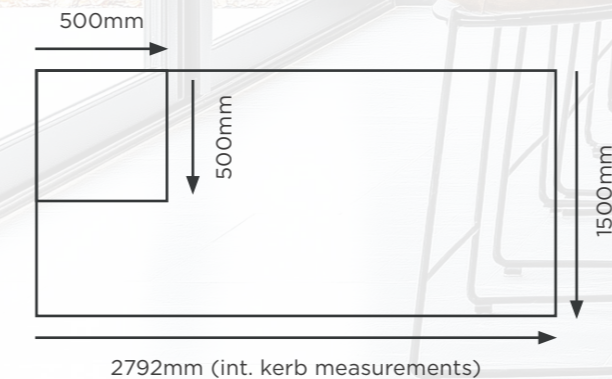
The PVC base width is 95mm with the overall overhang is 121mm.

The timber upstand should be a minimum of 80mm wide (max 90mm wide), the height should be 150mm to comply with Building Regulations.

## TECH SPEC

The Stratus Flat Rooflight is made to measure and can be supplied in a number of square or rectangular shapes, in sizes ranging from 500mm x 500mm, up to 1500mm x 2792mm (dependent on dimensions).

All sizes are to the internal face of the kerb.



MINIMAL FRAMEWORK, MAXIMUM DAYLIGHT

# FLAT ROOF

This high quality Flat Roof is the most thermally efficient on the market with a U-value of 0.12W/m<sup>2</sup>K, and the frameless flat rooflights flood your room with natural light for an extension that is as cosy as it is beautiful.

Every extension is built and project managed by our experienced team to bring your ideas and your home to life.

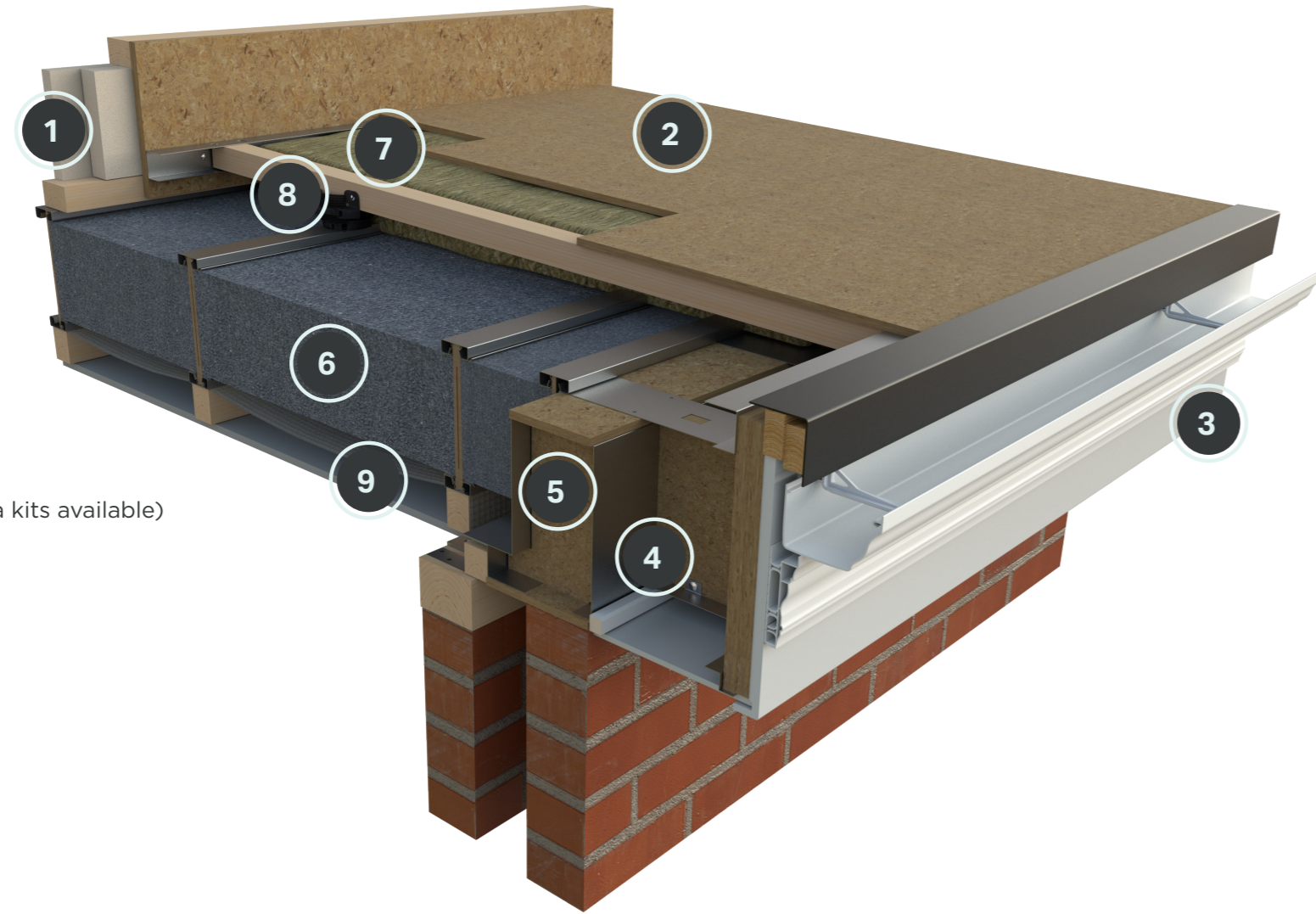
Using the latest Flat Roofing technology and pre-manufactured to your specifications, your contemporary extension will be quick to build, hassle free and fully compliant to the latest Building Regulations, so there's less red tape.

## Why choose our Flat Roof?

- ✓ Superior thermal performance of 0.12 W/m<sup>2</sup>K
- ✓ Strong enough to span up to 5.6m unsupported above bi-fold or sliding doors without expensive and often cumbersome additional support.
- ✓ Ideal for large spans of bi-fold or sliding doors
- ✓ All the structural and thermal calculations are taken care of within our specialist design software which engineers the roof based on the installation postcode
- ✓ Generous 225mm of insulation
- ✓ Vapour control layer to eliminate risk of condensation
- ✓ Fully insulated ring beam
- ✓ Fully insulated, integrated kerb
- ✓ Can support roof lights up to 5.7m x 3m
- ✓ One roof, one order - specify roof deck, kerb and roof lights in one order
- ✓ No need to wait for kerb sizes to order your roof lights
- ✓ Structural parameters of roof deck and roof lights - all taken care of
- ✓ Fully assessed and approved by Stroma and MFA Building Control

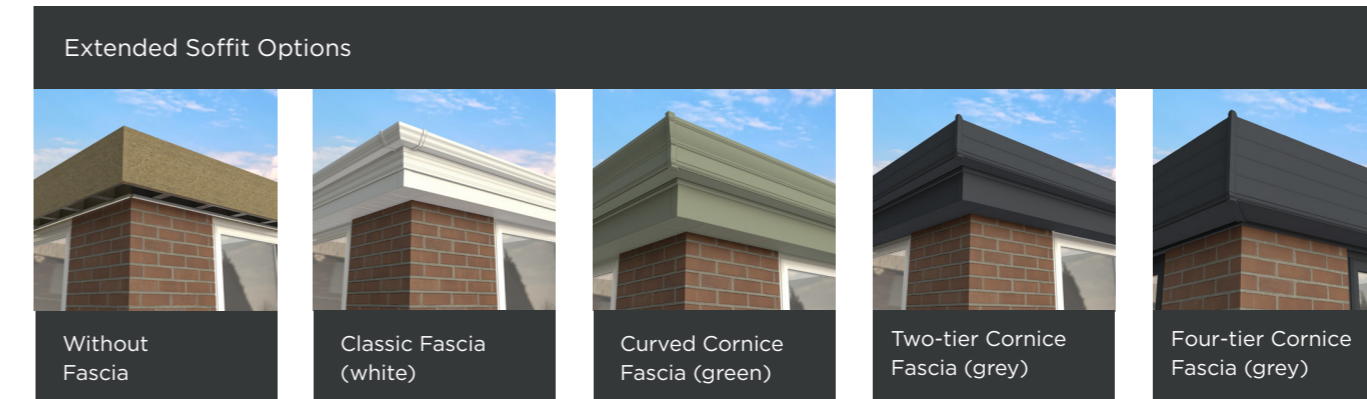
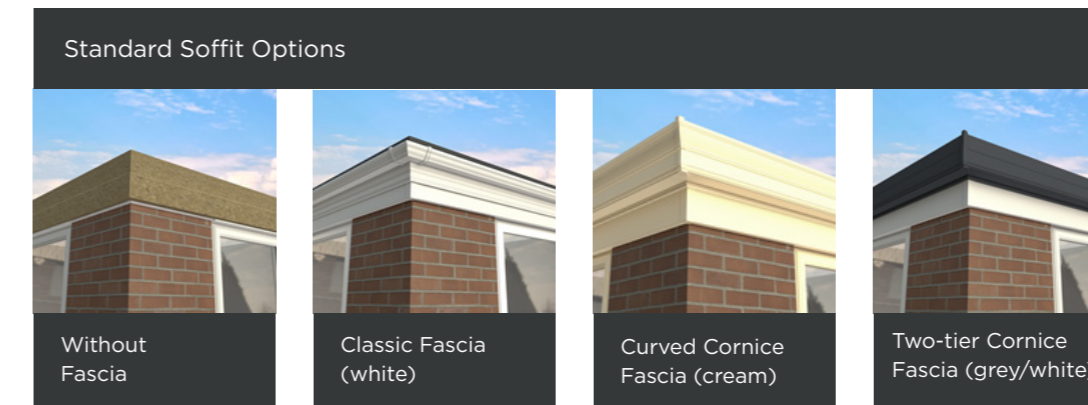
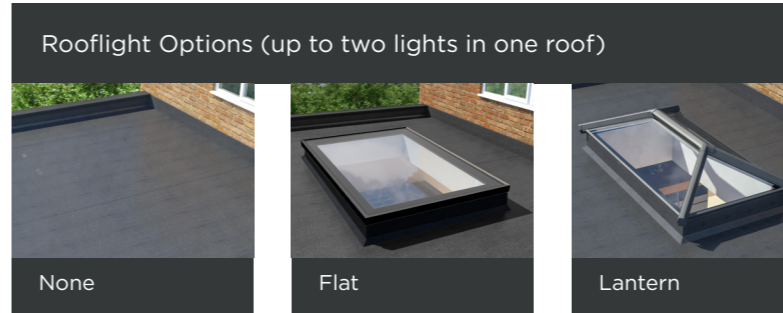


# SYSTEM VIEW



- 1 Insulated kerb
- 2 Pre-cut OSB deck
- 3 Classic fascia (choice of 4 fascia kits available)
- 4 Optional extended soffit
- 5 Insulated ring beam
- 6 Insulated panels
- 7 Intermediate insulation
- 8 Adjustable pitchlock
- 9 Vapour control layer

# DESIGN OPTIONS



prefix systems



[WWW.PREFIXSYSTEMS.CO.UK](http://WWW.PREFIXSYSTEMS.CO.UK)